



## COMPLETE FILTERS FOR BLOWERS CLASSIC AND FPZ VERSION



Although this range of housings, normally known as "bell-shaped" filters, is generally indicated to be used on the side channel blowers, is not unusual to find these containers fitted on the vacuum pumps and the compressors.

The "bell-shaped" filters produced by FILTER TECHNICS can be summarized into 3 main families according to the their own type of connection:

- threaded from M12 x 1.5 up to 4"
- through metal clamps for diameters from 20mm up to 100mm.
- through threaded stub pipe (connector) from 1/2" up to 5", for the FPZ models

The cartridges inside the housings can be manufactured with different filter media: cellulose, polyester, stainless steel, etc...

The powder coating makes the "bell-shaped" filters suitable to be used outside.

Our filters can also be produced, on request, in Stainless Steel in order to meet the growing demand in the food sector, as well as pharmaceutical.

Thanks to their versatility, the complete filters for blowers (classic and FPZ versions), are completely interchangeable with the original products among which we can mention: > Becker > Rietschle > FPZ > DVP > Esam > Mapro.



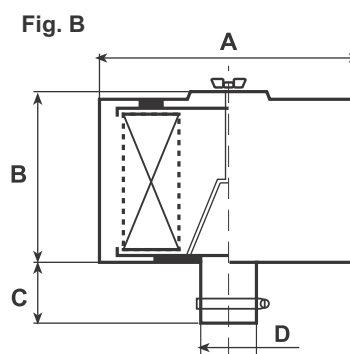
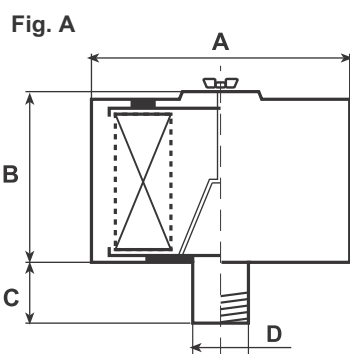
### A FEW REFERENCES

MANN + HUMMEL	BECKER	RIETSCHLE	FPZ
4500977106	FK.200 - 74000209000	730092	FL1
4502177125	FK.202 - 74000219000	730093	FL2
4503277105	FK.1000 - 74000512000	730091	FL3
4503777015	FK.1002 - 74000513000	730099	FL4
4507477115	FK.35 - 74000807000	730095	FL5
4513877126	FK.35/2 - 74000808000	730096	FL6
-	FK.450 - 74001110000	730109	FL8
-	FK.452 - 74001120000	730097	FL9
-	-	730098	FL10



**DIMENSIONS OF THE HOUSINGS**

CODE	FIG.	FLOW RATE m <sup>3</sup> /h	DIMENSIONS				SPARE PARTS
			D	A	B	C	
CF.BT4005	A	36	G. 3/4"	95 mm	83 mm	40 mm	AF.BT1005
CF.BT4006	A	64	G. 1"	130 mm	90 mm	60 mm	AF.BT1006
CF.BT4007	A	96	G. 1" 1/4	130 mm	90 mm	60 mm	AF.BT1007
CF.BT4008	A	210	G. 1" 1/2	130 mm	115 mm	80 mm	AF.BT1008
CF.BT4009	A	270	G. 2"	160 mm	135 mm	80 mm	AF.BT1009
CF.BT4010	A	480	G. 2" 1/2	180 mm	135 mm	80 mm	AF.BT1010
CF.BT4011	A	900	G. 3"	280 mm	135 mm	80 mm	AF.BT1011
CF.BT4012	A	1350	G. 4"	320 mm	210 mm	115 mm	AF.BT1012
CF.BB4001	B	30	20 mm	95 mm	83 mm	25 mm	AF.BB1001
CF.BB4002	B	120	40 mm	130 mm	90 mm	25 mm	AF.BB1002
CF.BB4003	B	210	52 mm	130 mm	115 mm	30 mm	AF.BB1003
CF.BB4004	B	270	60 mm	160 mm	135 mm	30 mm	AF.BB1004
CF.BB4005	B	270	70 mm	160 mm	135 mm	30 mm	AF.BB1005
CF.BB4006	B	480	80 mm	180 mm	135 mm	30 mm	AF.BB1006
CF.BB4007	B	900	100 mm	280 mm	180 mm	30 mm	AF.BB1007


**DIMENSIONS OF THE HOUSINGS FPZ**

CODE	FIG.	FLOW RATE m <sup>3</sup> /h	DIMENSIONS					SPARE PARTS	
			D	A	B	C	D2		E
CF.FPZ4003	C	25	21 mm	75 mm	62 mm	23 mm	1/2"	100 mm	AF.FPZ1001H
CF.FPZ4004	C	85	27 mm	150 mm	105 mm	23 mm	3/4"	130 mm	AF.FPZ1002H
CF.FPZ4005	C	85	33 mm	150 mm	105 mm	23 mm	1"	130 mm	AF.FPZ1002H
CF.FPZ4006	C	85	42 mm	150 mm	105 mm	23 mm	1" 1/4	200 mm	AF.FPZ1002H
CF.FPZ4007	C	250	48 mm	180 mm	155 mm	23 mm	1" 1/2	200 mm	AF.FPZ1003H
CF.FPZ4008	C	400	60 mm	230 mm	155 mm	23 mm	2"	200 mm	AF.FPZ1004H
CF.FPZ4009	C	700	89 mm	280 mm	180 mm	35 mm	3"	200 mm	AF.FPZ1005H
CF.FPZ4010	C	1400	114 mm	410 mm	300 mm	35 mm	4"	200 mm	AF.FPZ1006H
CF.FPZ4012	C	2800	140 mm	410 mm	330 mm	35 mm	5"	200 mm	AF.FPZ1006H

